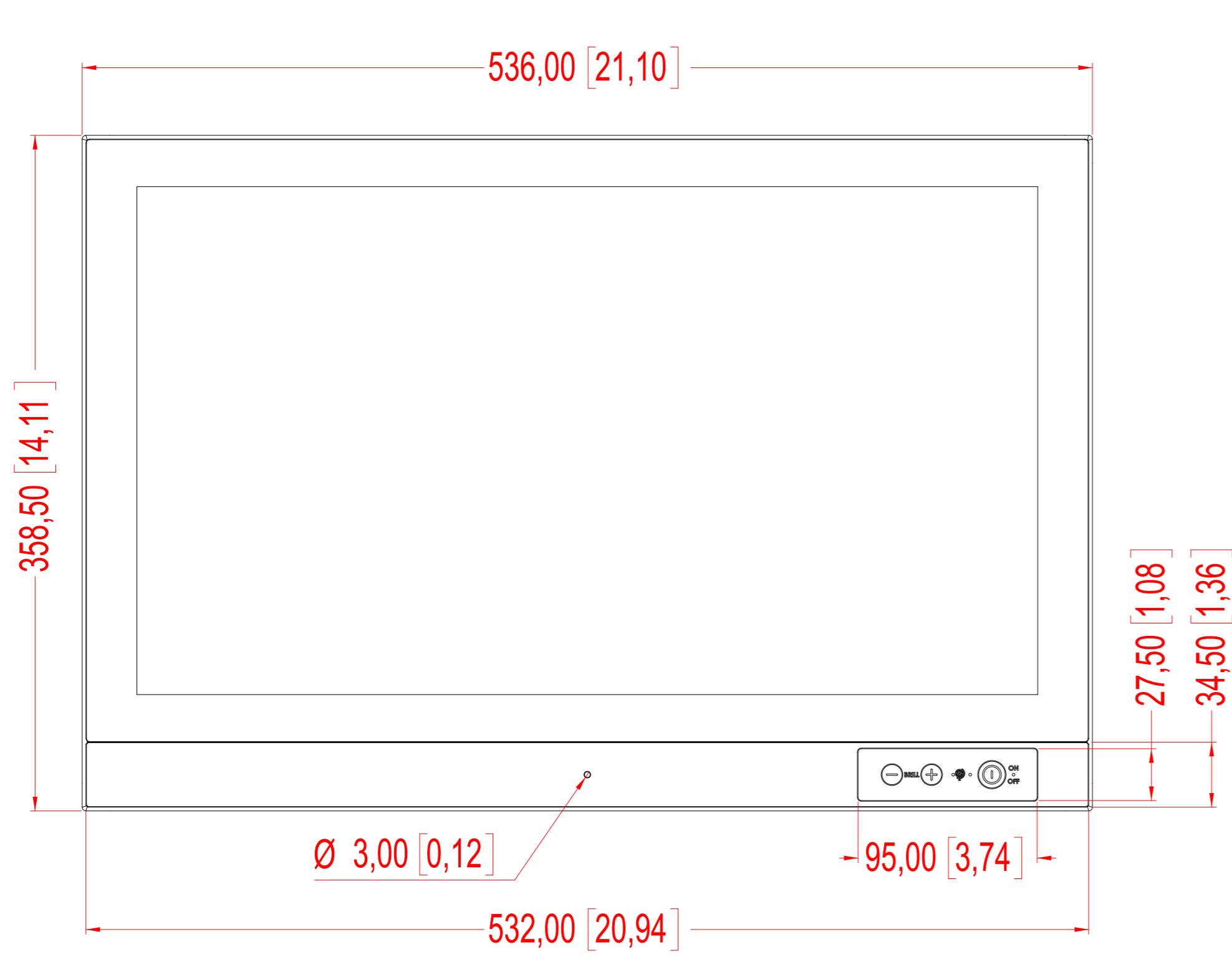
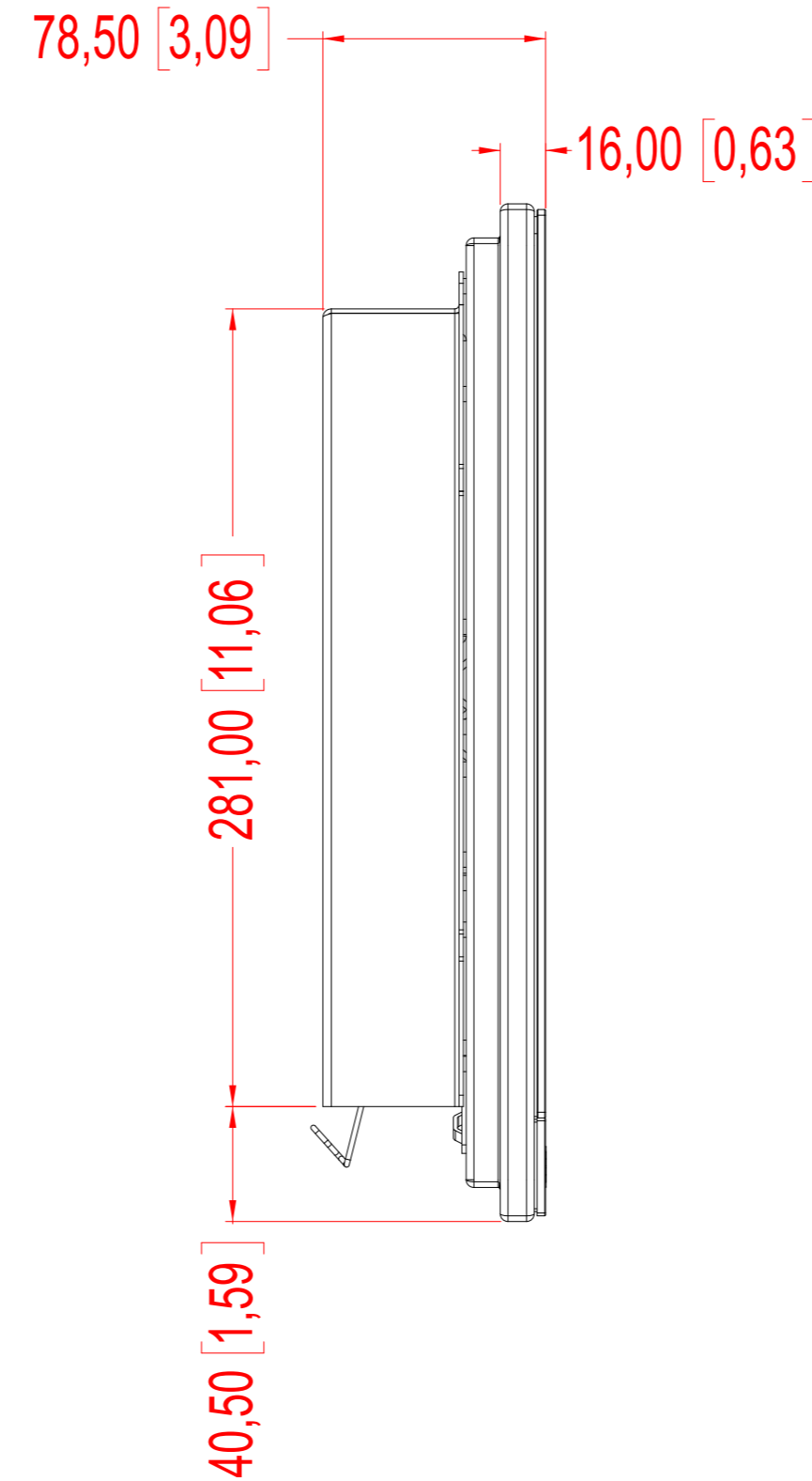


This document is the property of Hatteland Technology AS.
 This document and any authorized reproduction thereof, must not be used in
 any way against the interest of Hatteland Technology AS.
 Any authorized reproduction, in whole or in part, must include this legend.

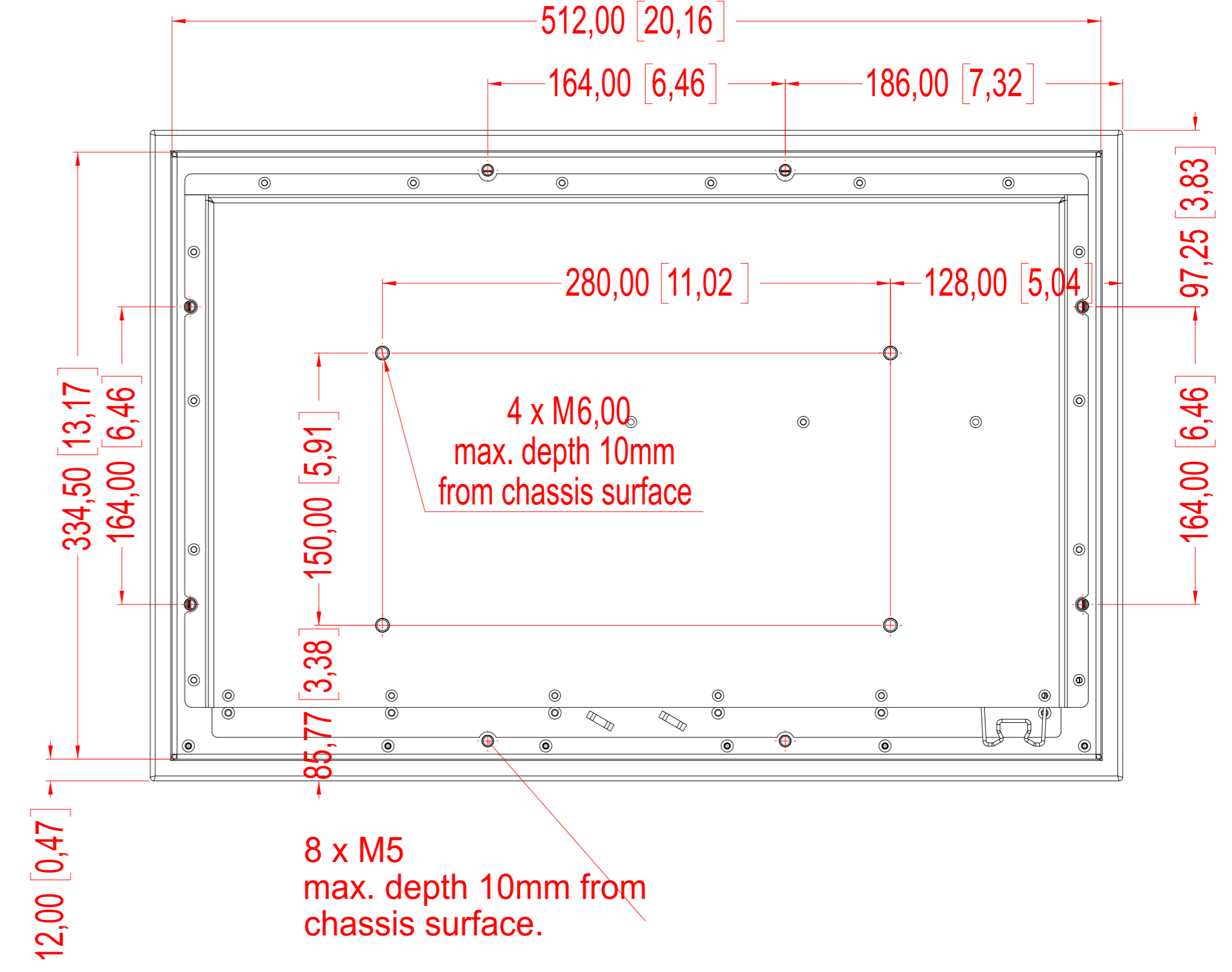
FRONT VIEW



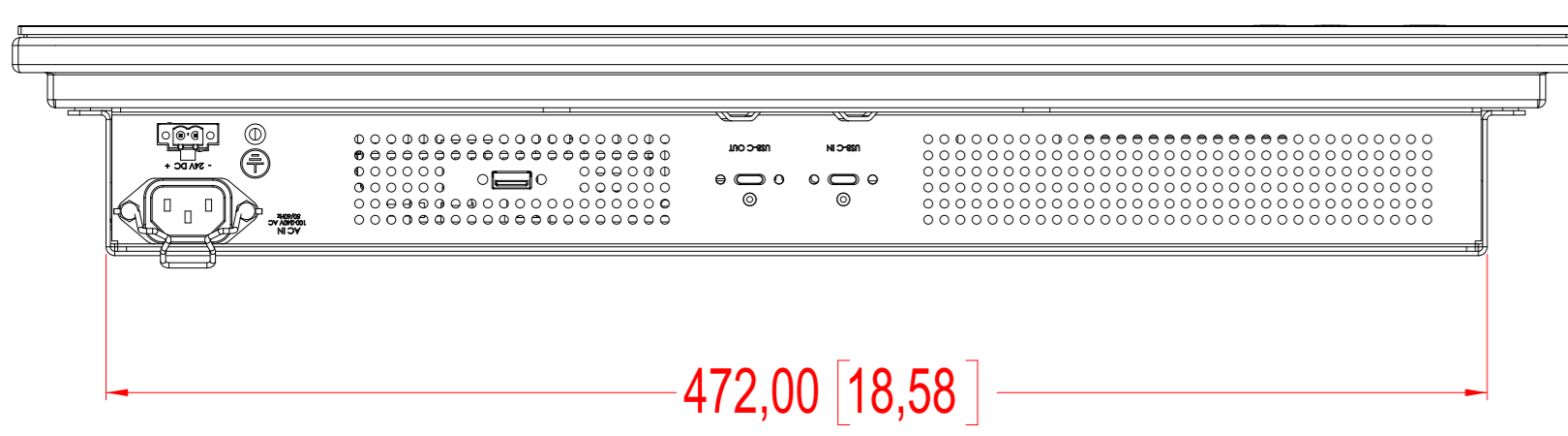
SIDE VIEW



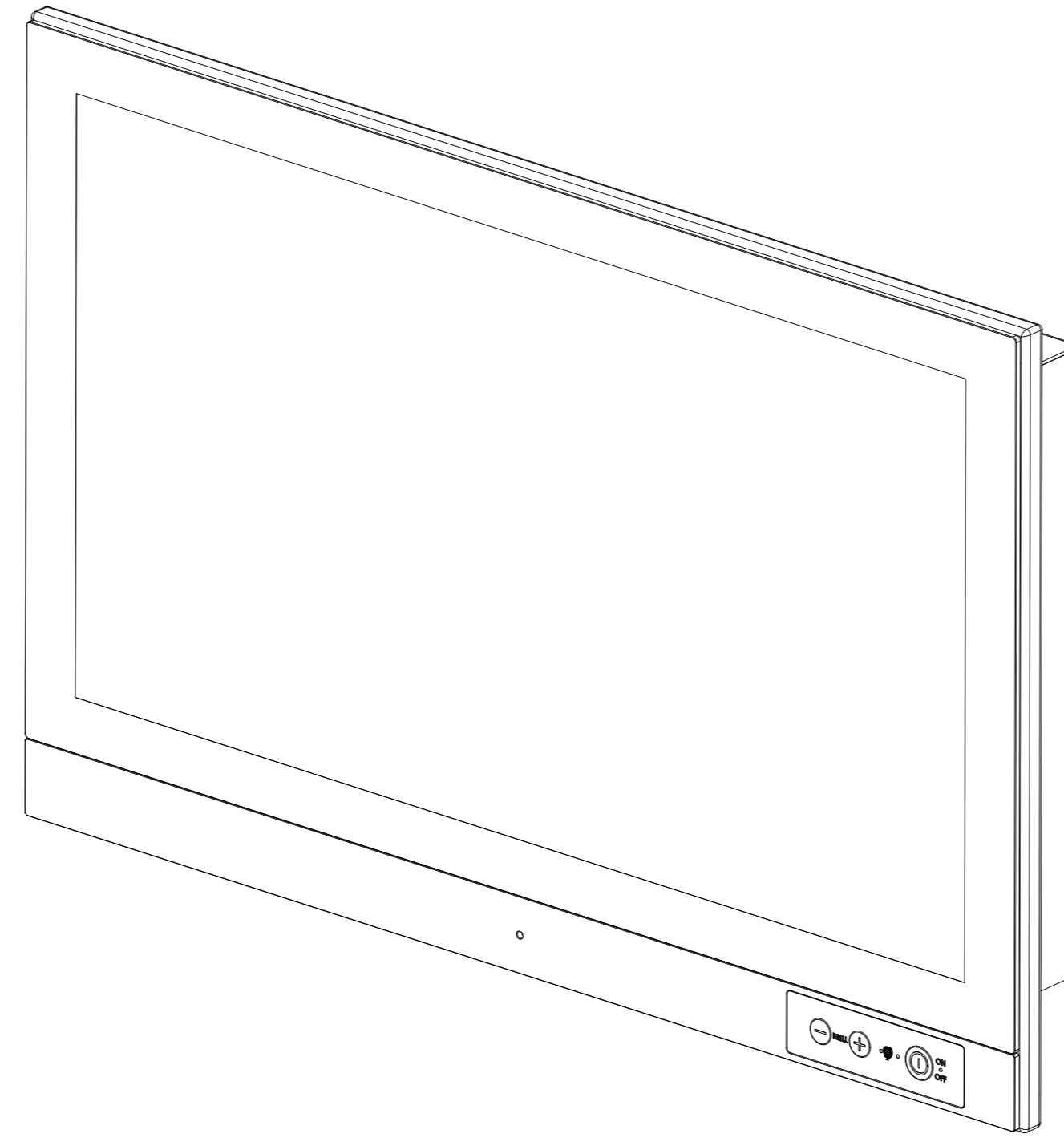
BACK VIEW



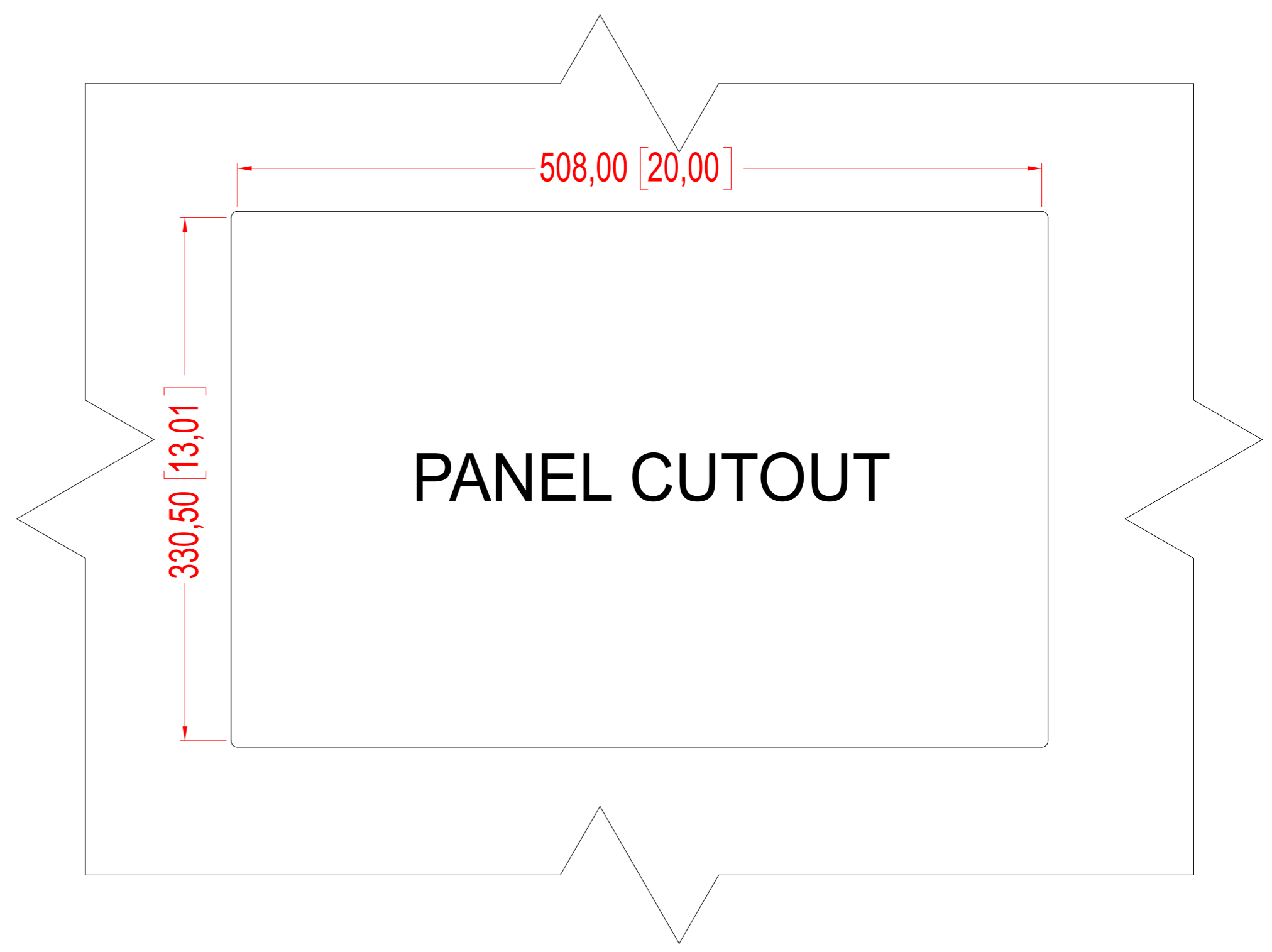
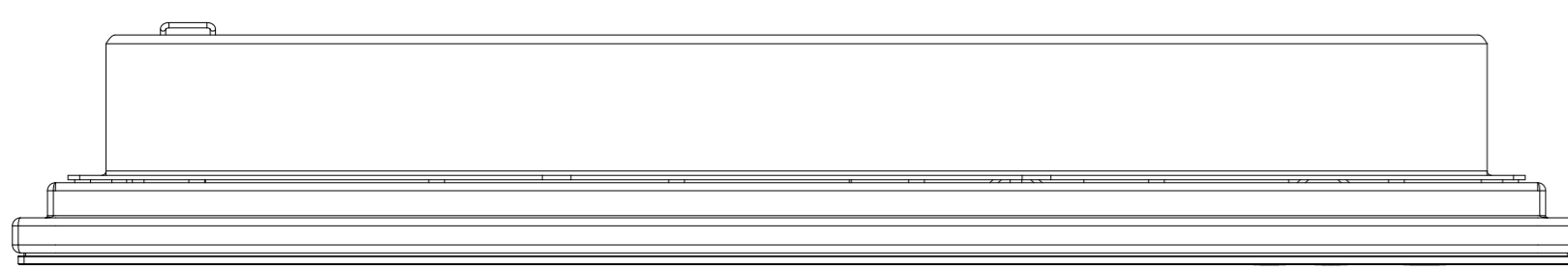
BOTTOM VIEW



ISOMETRIC VIEW



TOP VIEW



Units: mm [inches]

SALES DRAWING HD 21T30 SCM-JA1-EAEA
 shown in this drawing, but measurements generally apply for all HD 21T30 SCM-xxx-xxxx models

Creation date / by:	11.12.20 / 8755	Projection:	A1	HATTELAND TECHNOLOGY an EMBRON Company	
Last rev. date / by:	/		Scale:	1:2	Approved by:
Hatteland Technology AS Eikeskogvegen 52 N-5570 Aksdal			Tolerance:	ISO 2768-mK	Revision: 01
			Drawing number: A012803		